



# INCLINÓMETROS DIGITALES

**DPF**  
**sensors**  
www.dpfsensors.com

SENSORES E INSTRUMENTACION  
GUEMISA S.L. (N.I.F.: B-87969416)  
C\ De la Fundación 4 Bis - Planta 1º  
Oficina-2  
28522 Rivas Vaciamadrid (Madrid)  
Telf. 91 764 21 00  
ventas@guemisa.com

±90° 2 ejes  
Presición 0,05%  
Repetividad 0,05°  
Resolución 0,01°

DFI  
420



Alimentación mediante  
batería de Litio recargable  
Conexión USB  
Modo lectura ángulo y mm  
Peso 125 gr, Ip54

±90° 1 eje / ±30° 2 ejes  
Presición 0,02/ 0,005°  
Repetividad 0,004°  
Resolución 0,001°

DFI  
610



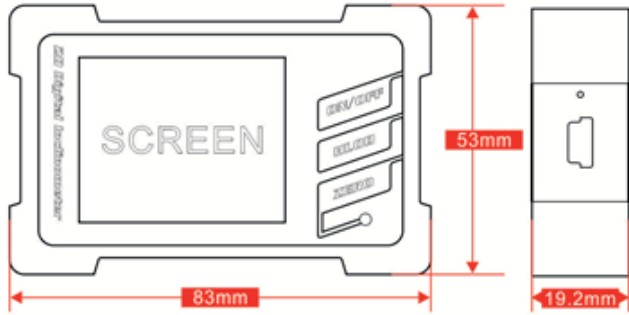
Alimentación mediante  
batería de Litio recargable  
Registro, programación  
gravedad.  
Modo lectura radian ángulo  
y mm/m  
Peso 600 gr, IP65

±15° / ±30° 1 eje  
Presición 0,003°  
Repetividad 0,003°  
Resolución 0,001°

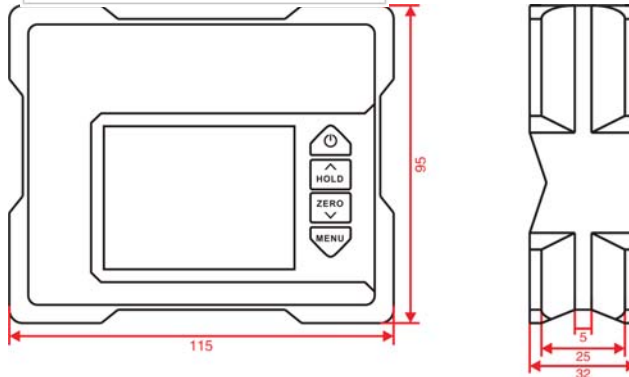
DFI  
820



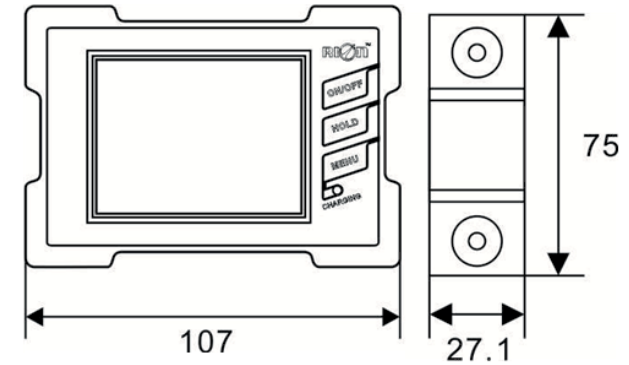
Alimentación mediante  
batería de Litio recargable  
Conexión USB y software  
Modo radian, ángulo,  
mm/m  
Peso 300 gr, IP54



Parameters	DFI420	UNIT
Angle Measuring range	±90°	°
MM measuring range	0~±999.9	mm
Measuring axis	X Y	
Angle measuring accuracy	±0.05 °	°
Angle Measuring resolution	0.01	°
MM measuring accuracy	0.9	mm
MM measuring res	0.17	mm
LCD visible area size	L40*W32	mm
Working temperature	-10°~ +70°C	°/C
Working humidity	≤85	%RH
Power supply	3.7V Charging Lithium battery	V
Ideal charging time	3	h
Battery design stand-by time	8 (±0.5)	h
Connect plugin	Standard 5Pin USB connector	
Shock proof	10g@11ms、3Times/Axis(half sinusoid)	
Shock impact	10grms、10~100Hz	
Weight	125	g
Waterproof grade	IP54	
Material	Aluminum alloy	
Size	L83*W53*H19.2mm	mm



Parameters	DFI610	Unit
Angle measuring range	Single axis : ±90°    Dual axis : ±30°	°
Measuring axis	Single axis & Dual axis	
Best accuracy	<0.02(Full range)    <0.005(Full range)	°(RM S)
Angle measuring resolution	0.001	°
Repeatability	0.004	°
Three kinds of measurement mode selectable	radian, angle, mm/m three modes can be set	
LCD	64 true colors night vision display screen	
LCD visible area size	L60.5*W45	mm
Working temperature	-10°~ +70°C	°/C
Working humidity	85	%RH
Power supply	1.5	V
Ideal working time	6	Hours
Shock resistance	10g@11ms、3Times/Axis(half sinusoid)	g
Shock impact	10grms、10~100Hz	g
Weight	600	g
Waterproof grade	IP65	
Material	Anodic oxidation of aluminum alloy	
Size	L115*W95*H32mm	mm



Parameter	DFI820-15	DFI820-30	Unit
Angle Measuring range	±15 ° ;	±30 ° ;	°
MM measuring range	267	577	mm
Measuring axis	Single axis	Single axis	
The highest measuring accuracy	<0.005 (Full measuring range)	<0.01 (Full measuring range)	°
Angle Measuring resolution	0.001	0.001	°
MM measuring accuracy	0.1	0.2	mm
Three measurement mode selectable	radian, angle, mm measuring can be selected		
MM measuring res	0.02		mm
LCD	64 true colors night vision display screen		
LCD visible area size	L57.6*W43.2		mm
Working temperature	-10°~ +70°C		°/C
Working humidity	85		%RH
Power supply	3.7VCharging Lithium battery		V
Ideal charging time	3~4		h
Battery sustainable charging times	11		h
Equipped with PC software	VC software		
Data output signal	USB1.1		
Connect plug in	Standard 5Pin USB connector		
Shock resistance	10g@11ms、3Times/Axis(half sinusoid)		g
Shock impact	10grms、10~100Hz		g
Weight	300		g
Waterproof grade	IP54		
Material	Metal		
Size	L107*W75*H27.1mm		mm